

Standard Full Nut

Thread Type: UNC / BSW - Coarse

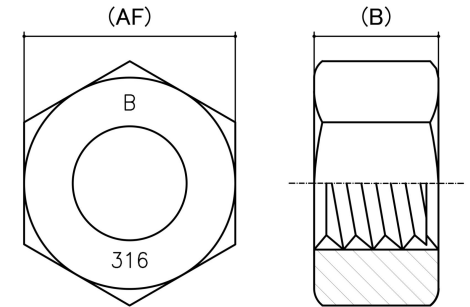
Thread Direction: Right Hand

Material: Stainless Steel

Class Grade: A4-70 G316

Corrosion Protection Level: Ultimate

Standard: BS 1083



*CAD drawings shown for graphic representation only.**

| Size | Thread Pitch (TPI) | Thread Type | Overall Nut Height (B) (mm) | | Across Flats (AF) (mm) | | Spanner Size (AF) (inches) | sku (qfind) |
|------|--------------------|-------------|-----------------------------|-------|------------------------|-------|----------------------------|-------------|
| | | | Min | Max | Min | Max | | |
| 1/4" | 20 | Coarse | 4.83 | 5.08 | 10.87 | 11.11 | 7/16 | 41SW14M |
| 1/2" | 12 | Coarse | 10.85 | 11.10 | 18.83 | 19.03 | 3/4 | 41SW12M |

Disclaimer:

Dimensional data and technical information was obtained from publically available sources and not acquired through standard agencies. It has been completed and compiled for reference purposes only; where discrepancies are found they are subject to change without notice. Bolt & Nut Australia makes no warranties or representations regarding the accuracy and validity of the compiled information and data. Contact the relevant standard authorities for accurate and detailed information.

* CAD drawings may not reflect diameter, thread length or overall length.

© Bolt & Nut Australia Pty Ltd. All rights reserved.

Version: 18 Mar 2024